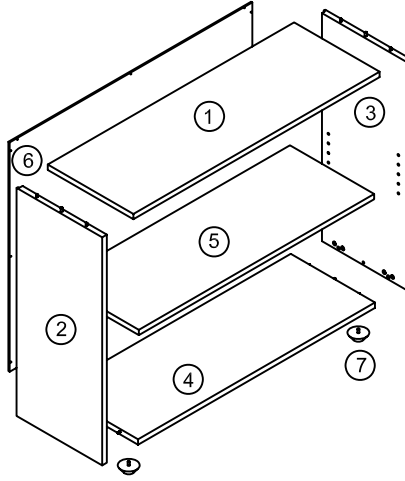
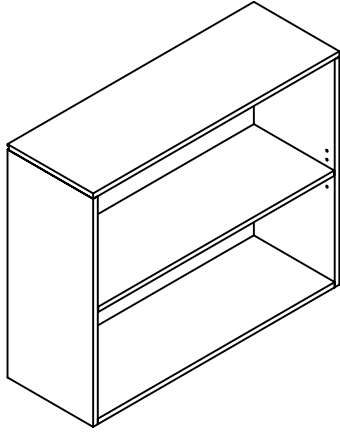
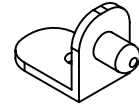


ASSEMBLY INSTRUCTION

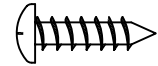
710815



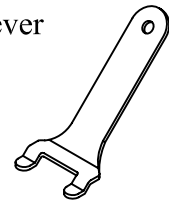
⑧ Shelf support



⑨ Wood screw

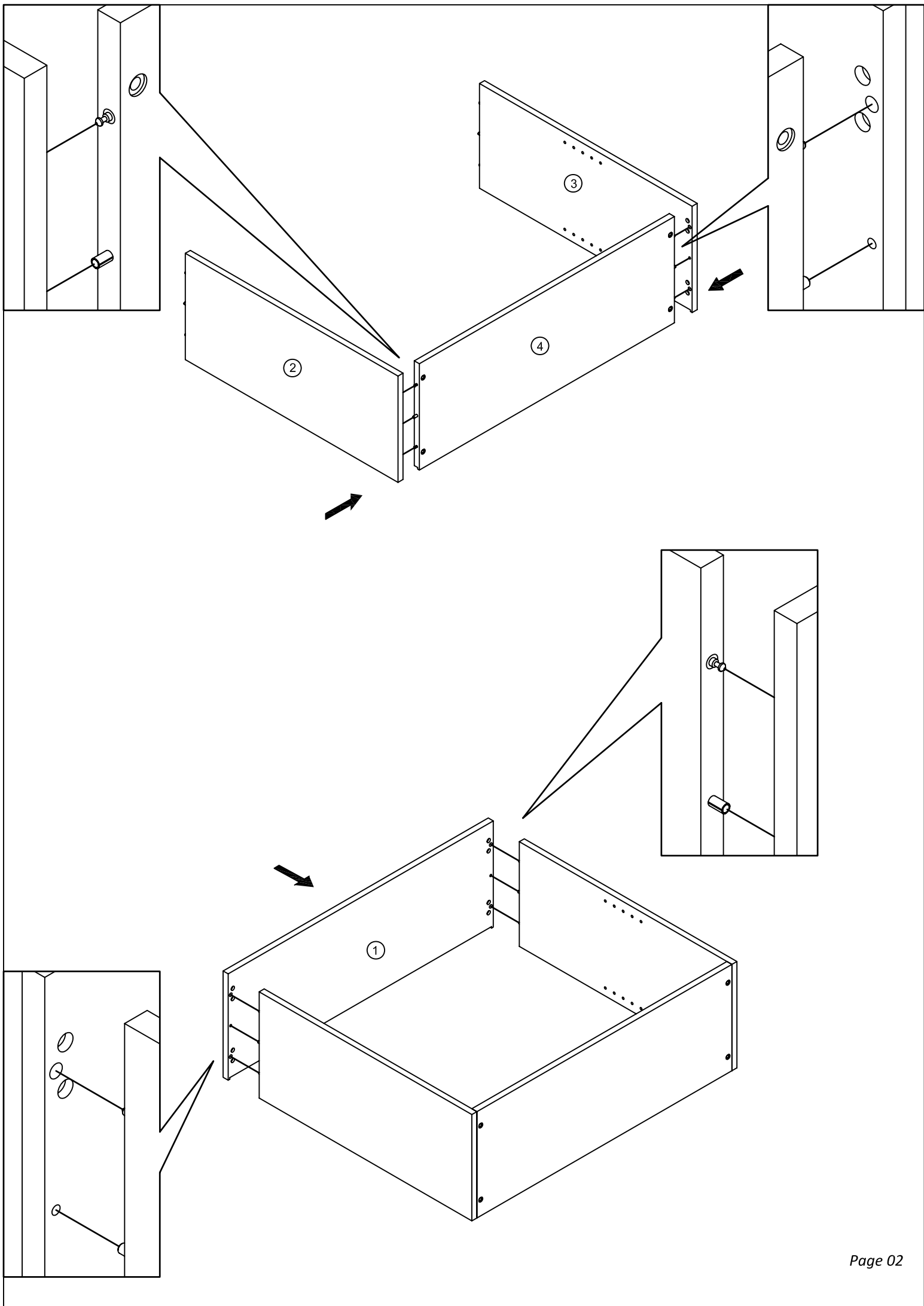


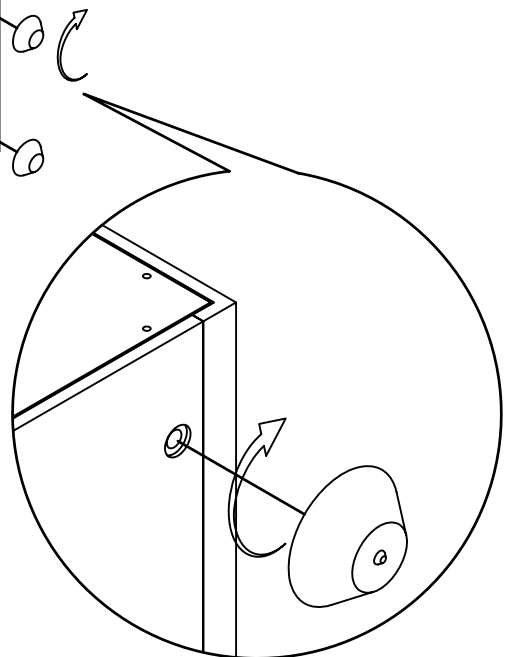
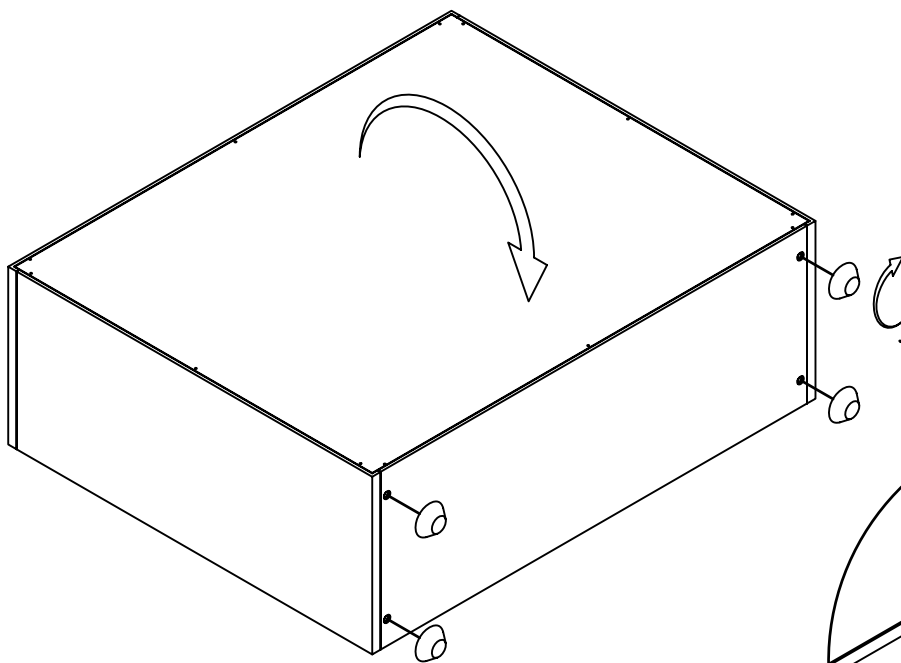
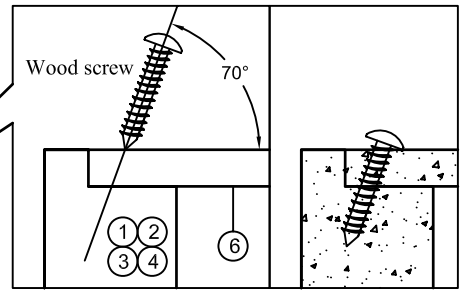
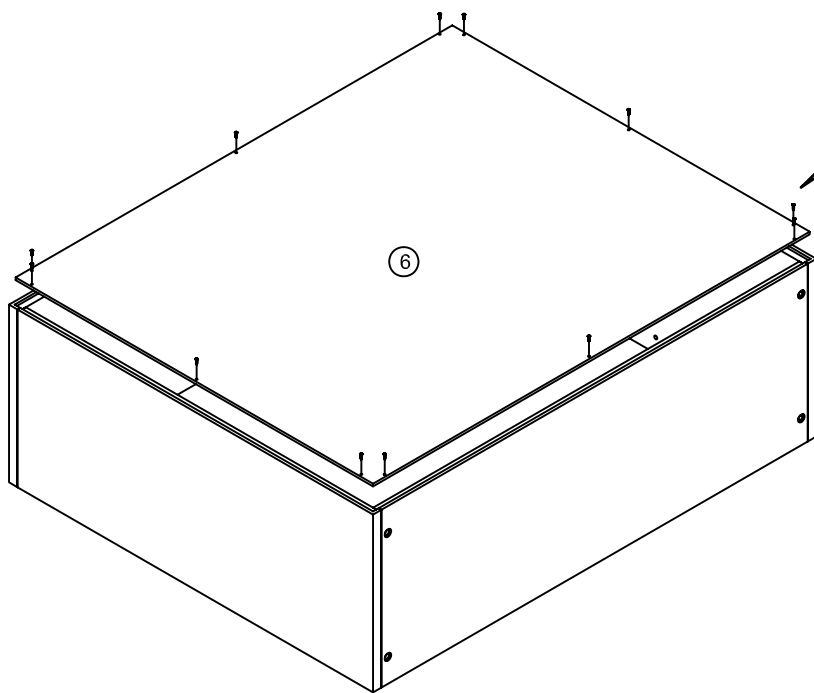
⑩ Fork lever

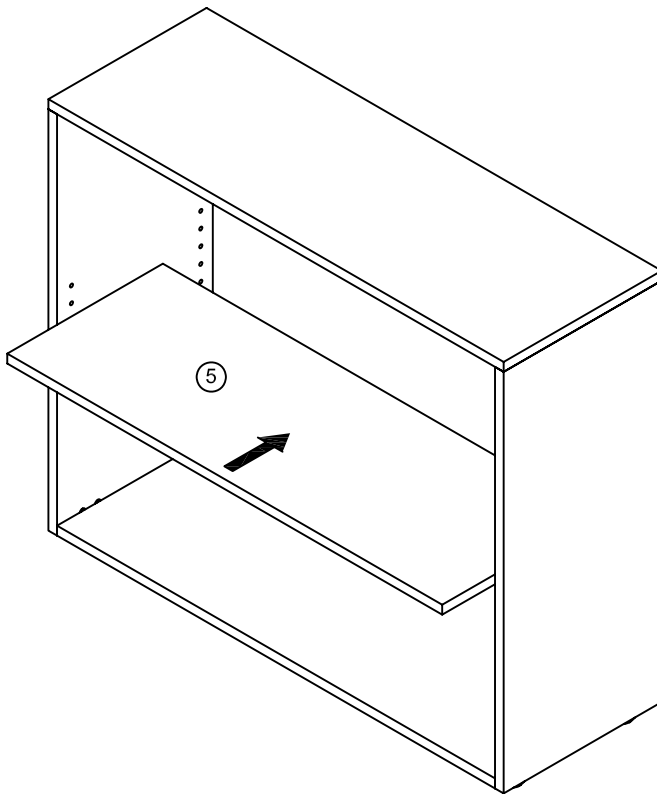
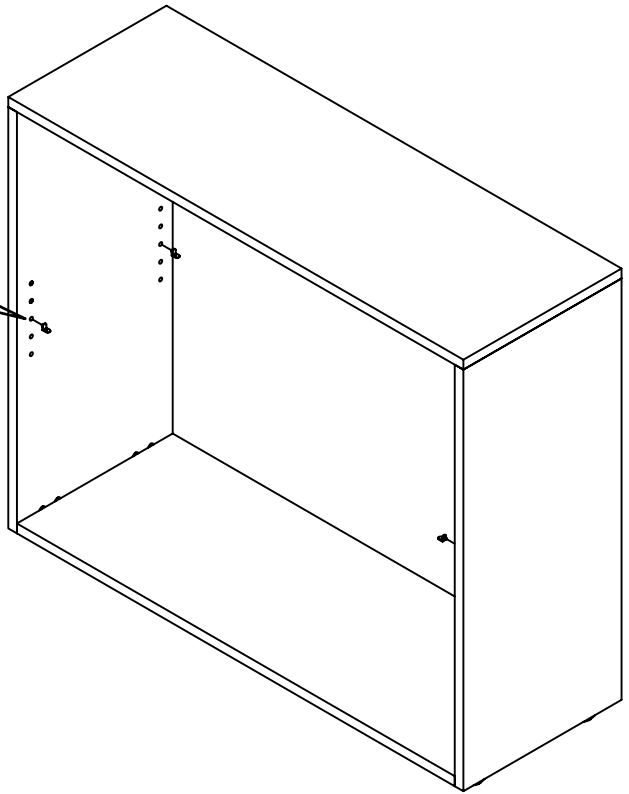
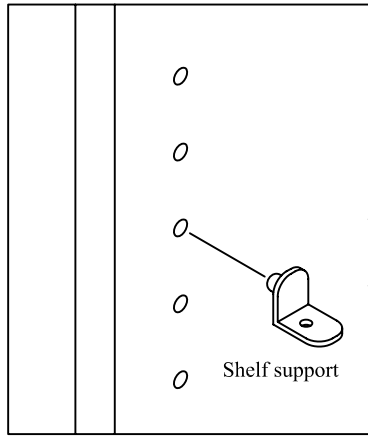


NO	DESCRIPTION	DIMENSION	QUANTITY
1	TOP	37 3/8" x 13" x 3/4"	1
2	LEFT SIDE	30" x 13" x 3/4"	1
3	RIGHT SIDE	30" x 13" x 3/4"	1
4	BOTTOM	36" x 13" x 3/4"	1
5	SHELF	35 3/4" x 12 3/4" x 3/4"	1
6	BACK PANEL	36 7/8" x 30 1/8" x 1/4"	1
7	FOOT	2 3/8" x 1 3/8" x 3/4"	4
8	SHELF SUPPORT		4
9	WOOD SCREW		12
10	FORK LEVER		1

YOU WILL REQUIRE A CROSSHEAD SCREWDRIVER

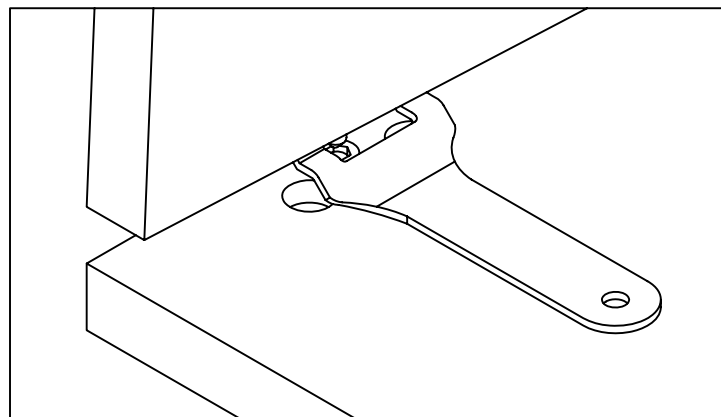
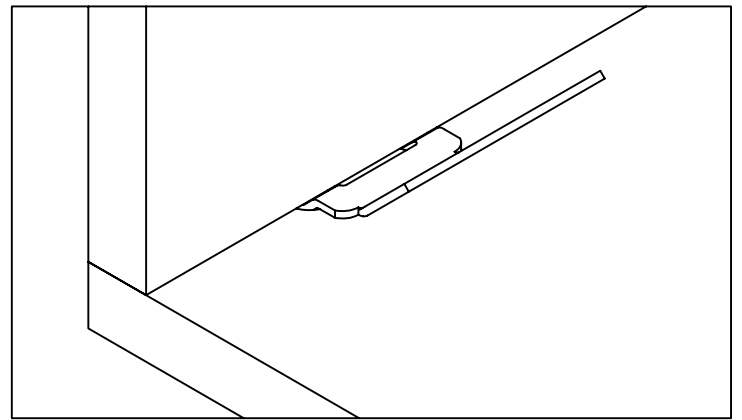
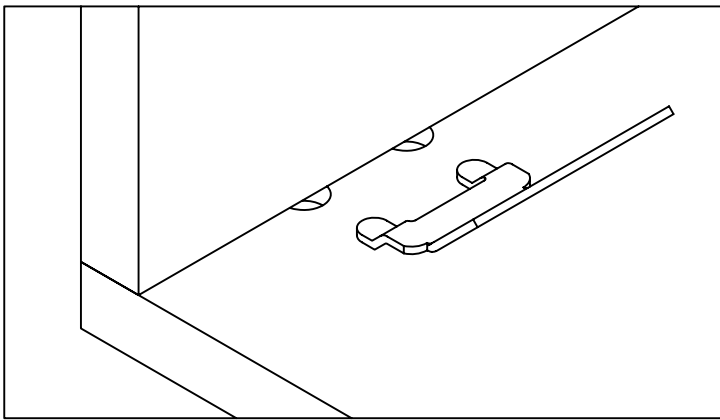
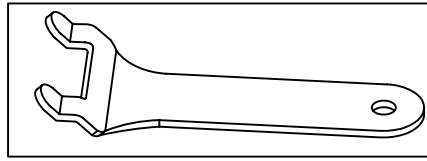






Fork Lever Extraction Tool

For use with Extraction Holes (Blind Holes)



Place Fork Lever Tool into Extraction Holes and push down. Joint will un-latch. Repeat on all other joints in panel.

***Make sure to disassemble your furniture in backwards sequence from the installation assembly

ASSEMBLY INSTRUCTION

ANTI TIP KIT

Maxwood Furniture Inc
WWW.MAXTRIXKIDS.COM

Anti-tip Furniture Fastening System
For the safety of your child, we highly recommend that you install the enclosed anti-tip furniture fastening system.

Important:
Ensure wall bracket is firmly screwed into the wall and the furniture bracket is attached to the frame and the strap is snug.
This product is not to be substituted for proper parental supervision.

